

PRODUCTOS AHORRADORES PARA COCINA

ACCESORIO DE 5.7 lts/min (1.5 gal/min)

PCA® BubbleStream® Flotalia Double Swivel



flow, stop and go®

- Features and Benefits**
- ▶ Modern dual swivel spray/aerator.
 - ▶ Pull down action switches from aerated stream to powerful spray.
 - ▶ Swivel action allows spraying of hard to reach areas of the sink.

Certifications

ANSI/NSF 61 [21 020 & 21 222 pending]
 ASME A112.18.1M and CSA B125 [21 020 & 21 222 pending]
 Meets **CALGreen** requirements
 WaterSense [See models below.]
 Complies with CEC Amendment to CCR Title 20, section 1605.3

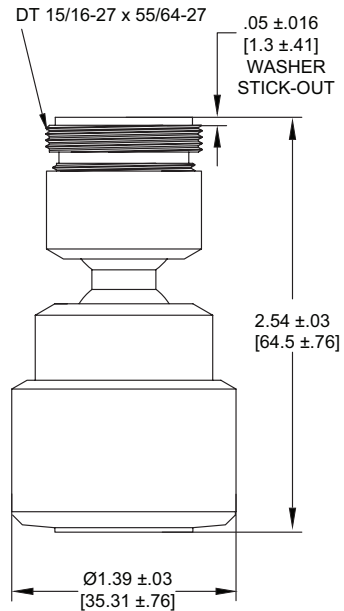


Options Available

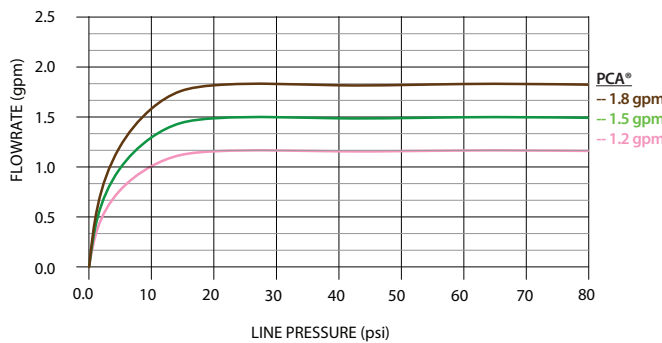
Part #	Color	gpm	PCA®	WaterSense
21 120	Chrome/black	1.5	yes	yes



Dimensions



Flow Rate Curve



Technical Data

Materials:

Body	Acetal
Screen	Stainless Steel
Washers	EPDM
Outer body	ABS
Connector	Brass
Adapter	Acetal

Continuous		Short-term (5 minutes max.) Per ASME A112.18.1 testing requirements.	
max. 60 °C	max. 140 °F	max. 70 °C	max. 160 °F
90 psi max.	6.2 bar max.	125 psi max.	8.5 bar max.